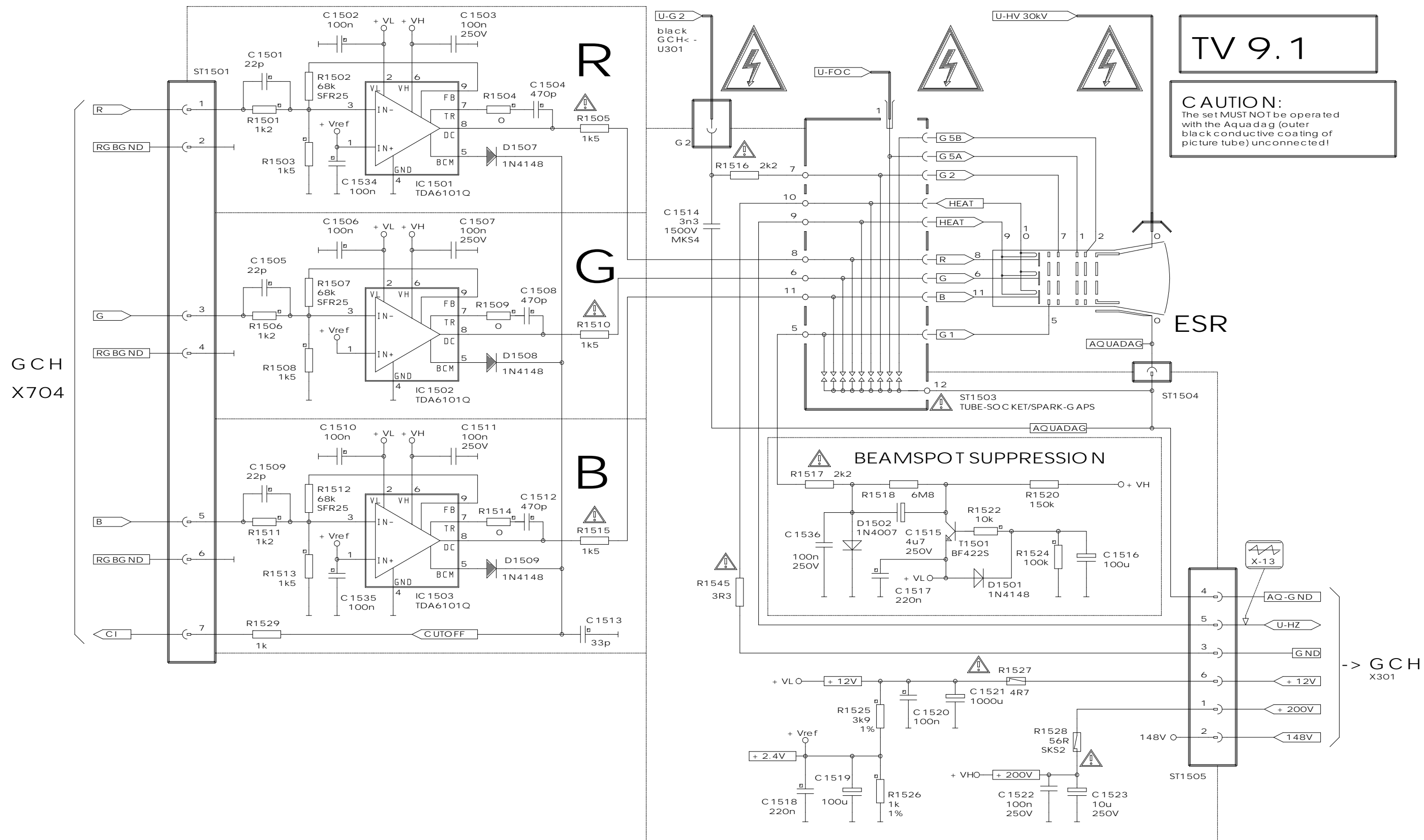
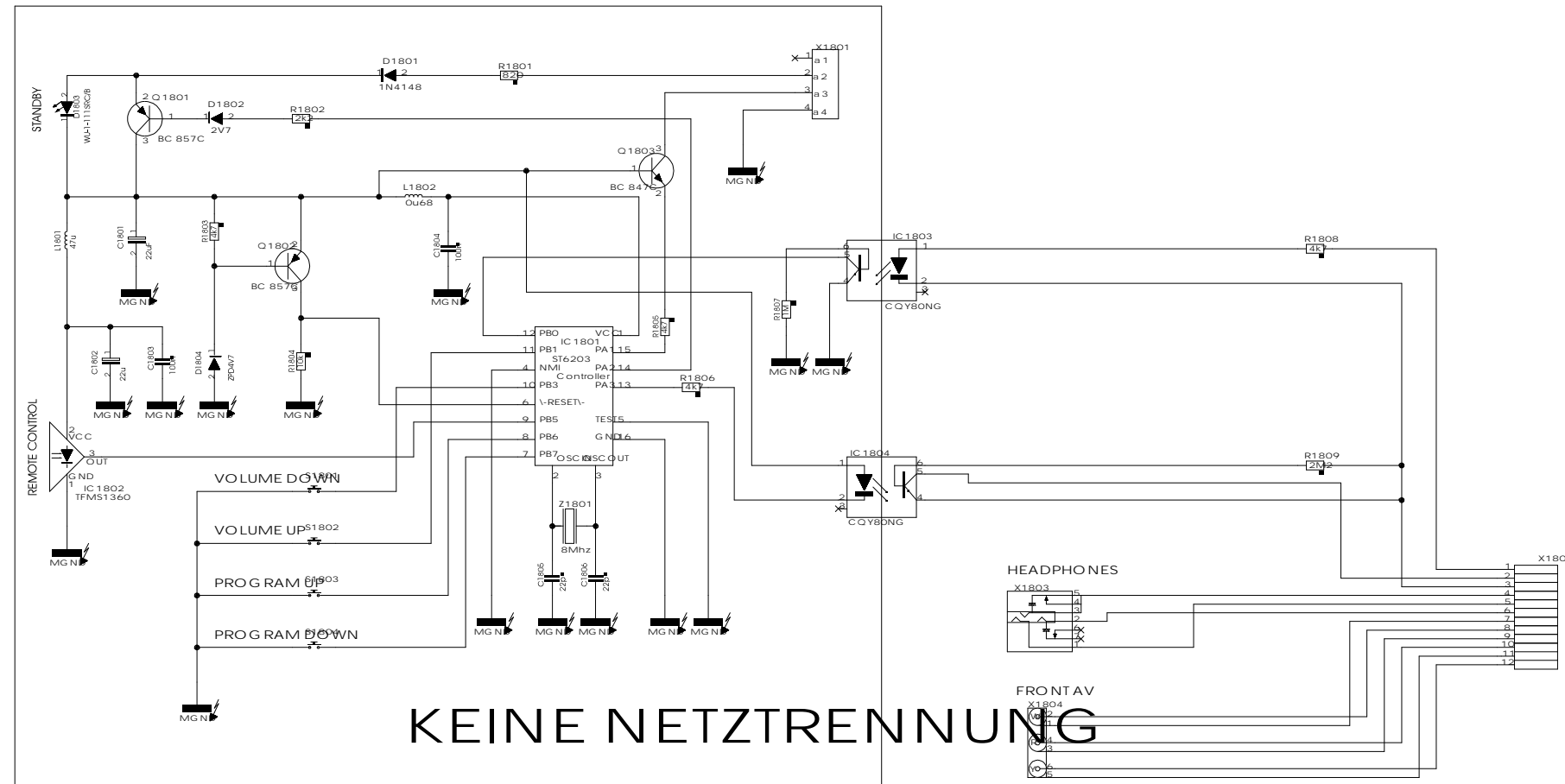


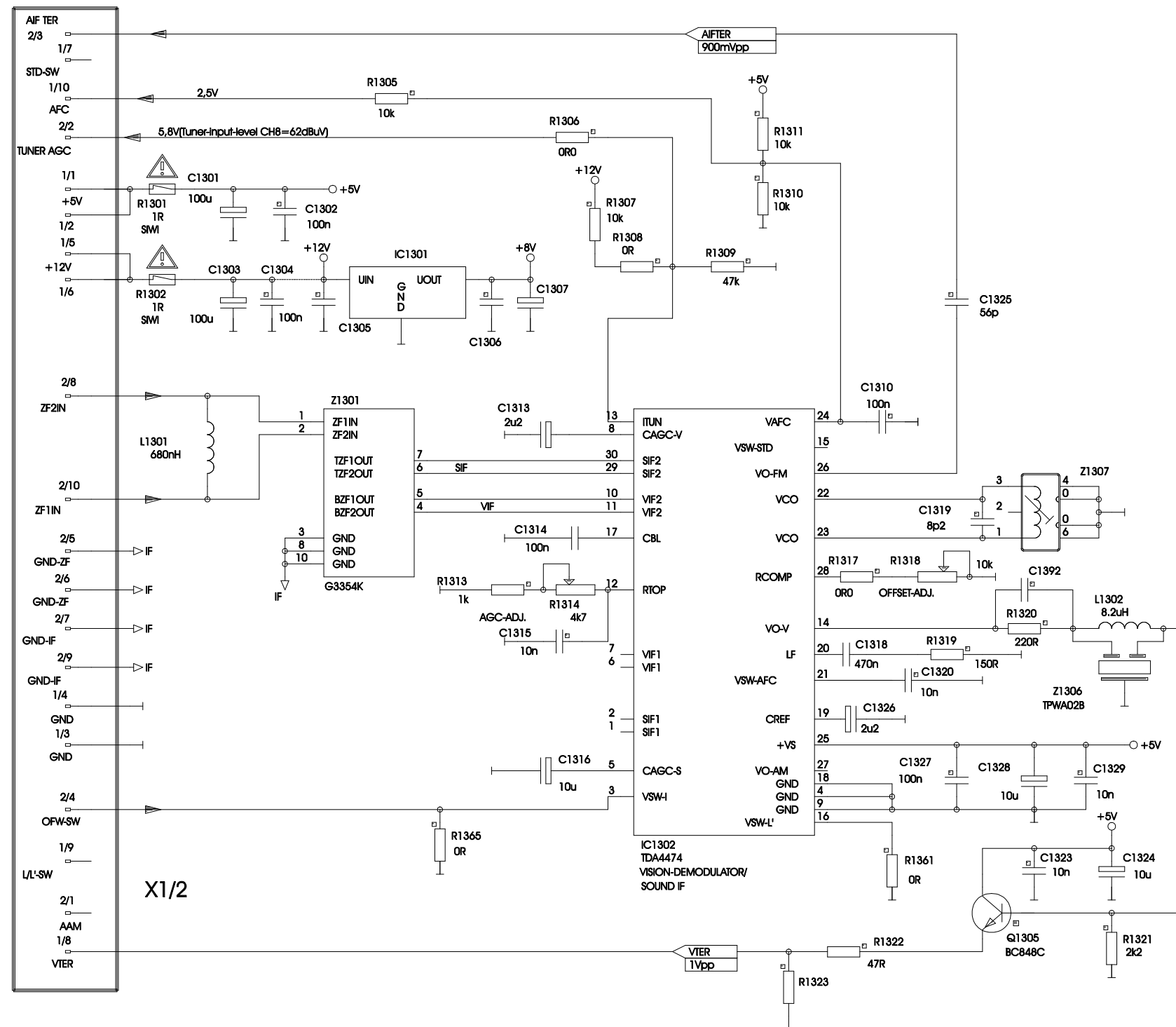
BASE CHASSIS CIRCUIT DIAGRAM



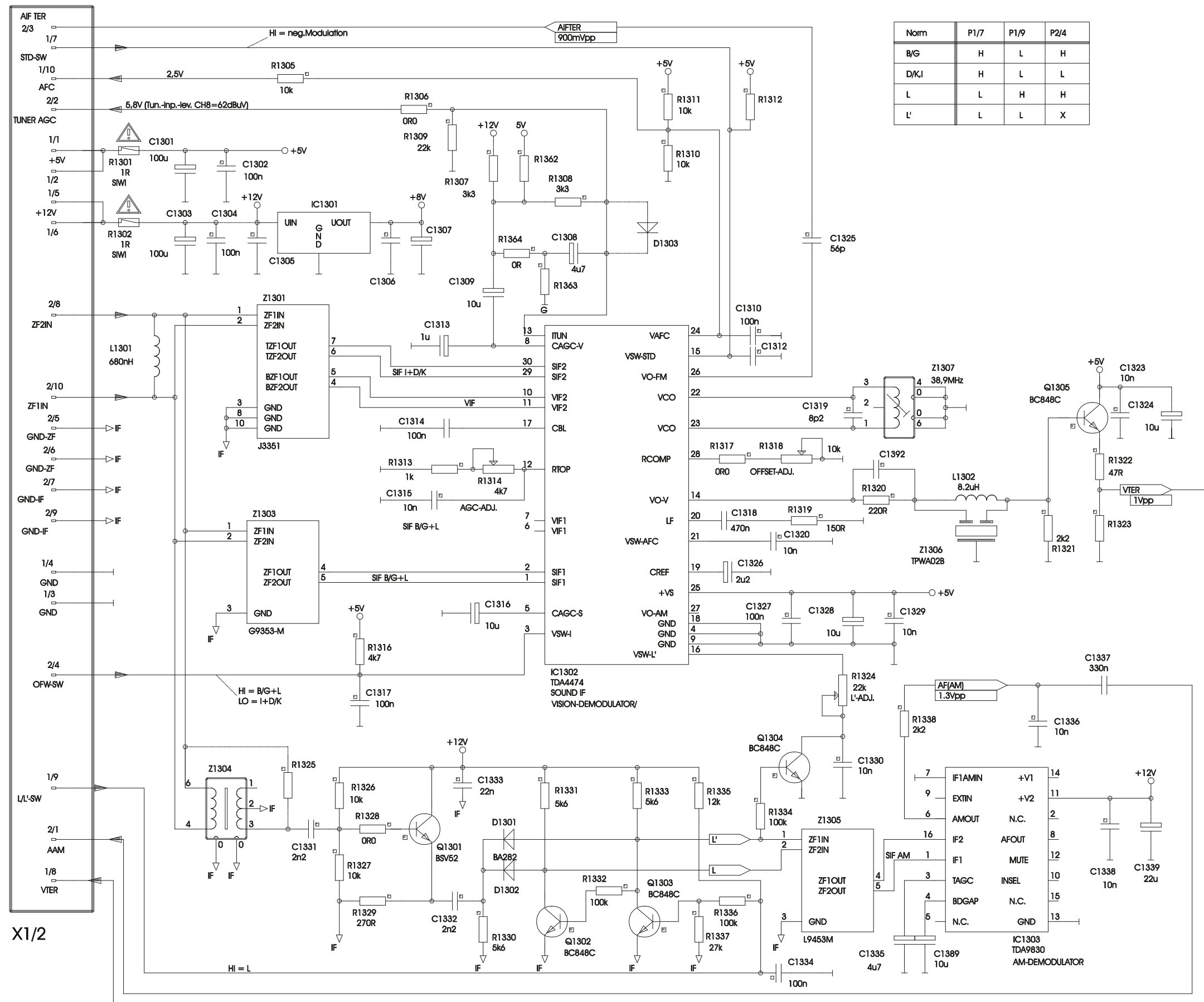
CRT CIRCUIT DIAGRAM



FRONT CONTROL PANEL CIRCUIT DIAGRAM

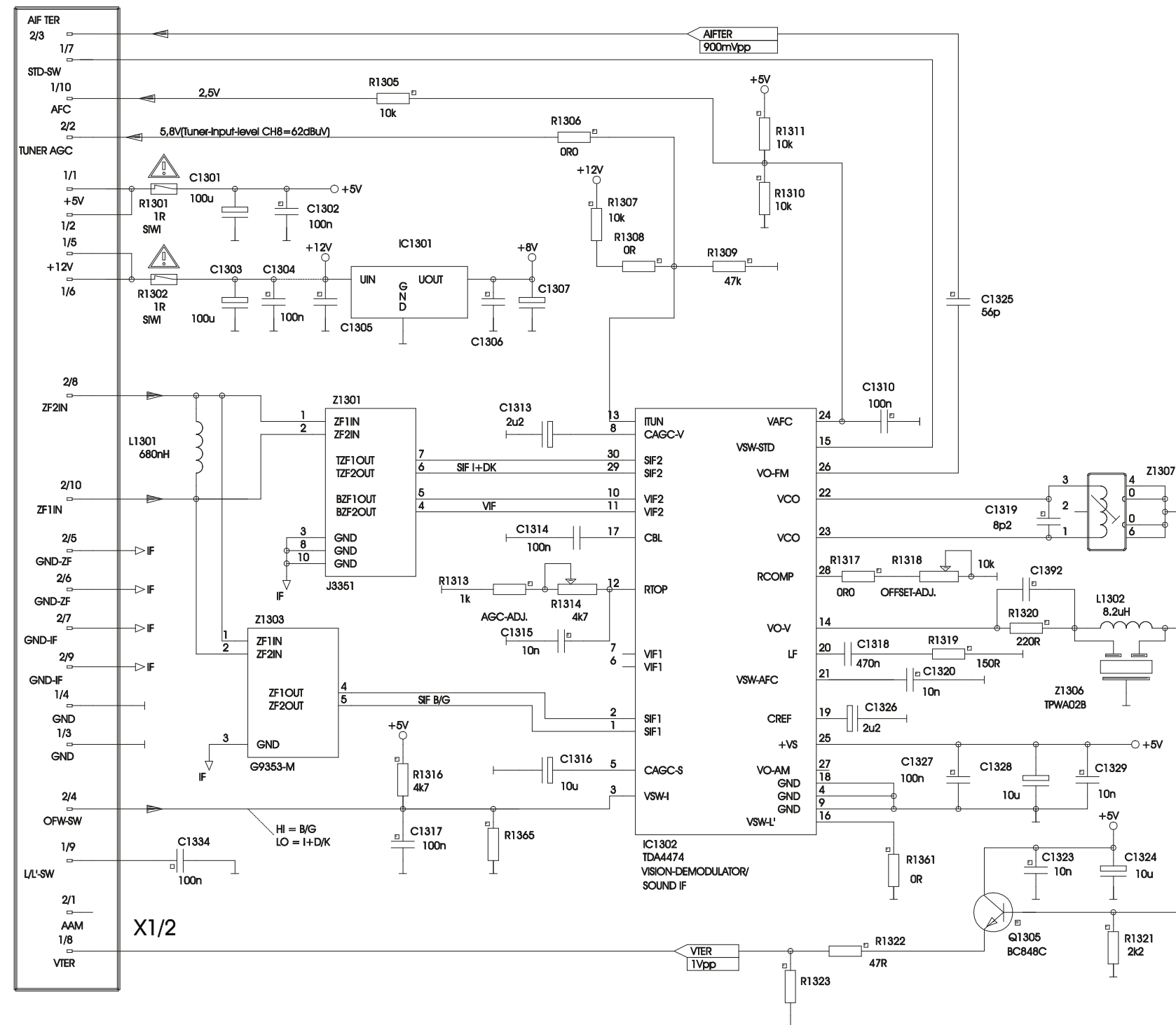


IF B/G CIRCUIT DIAGRAM

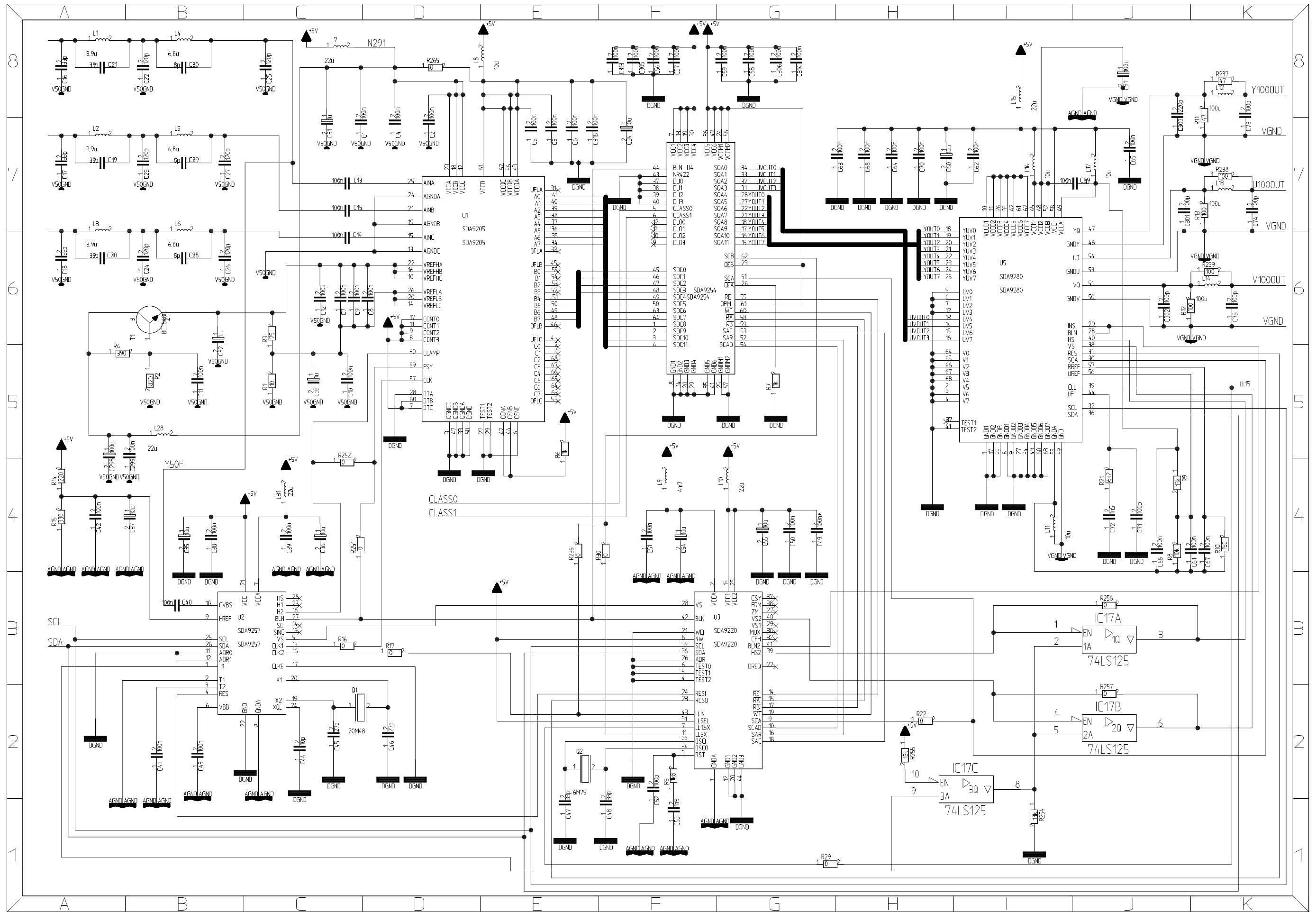


IF EURO CIRCUIT DIAGRAM

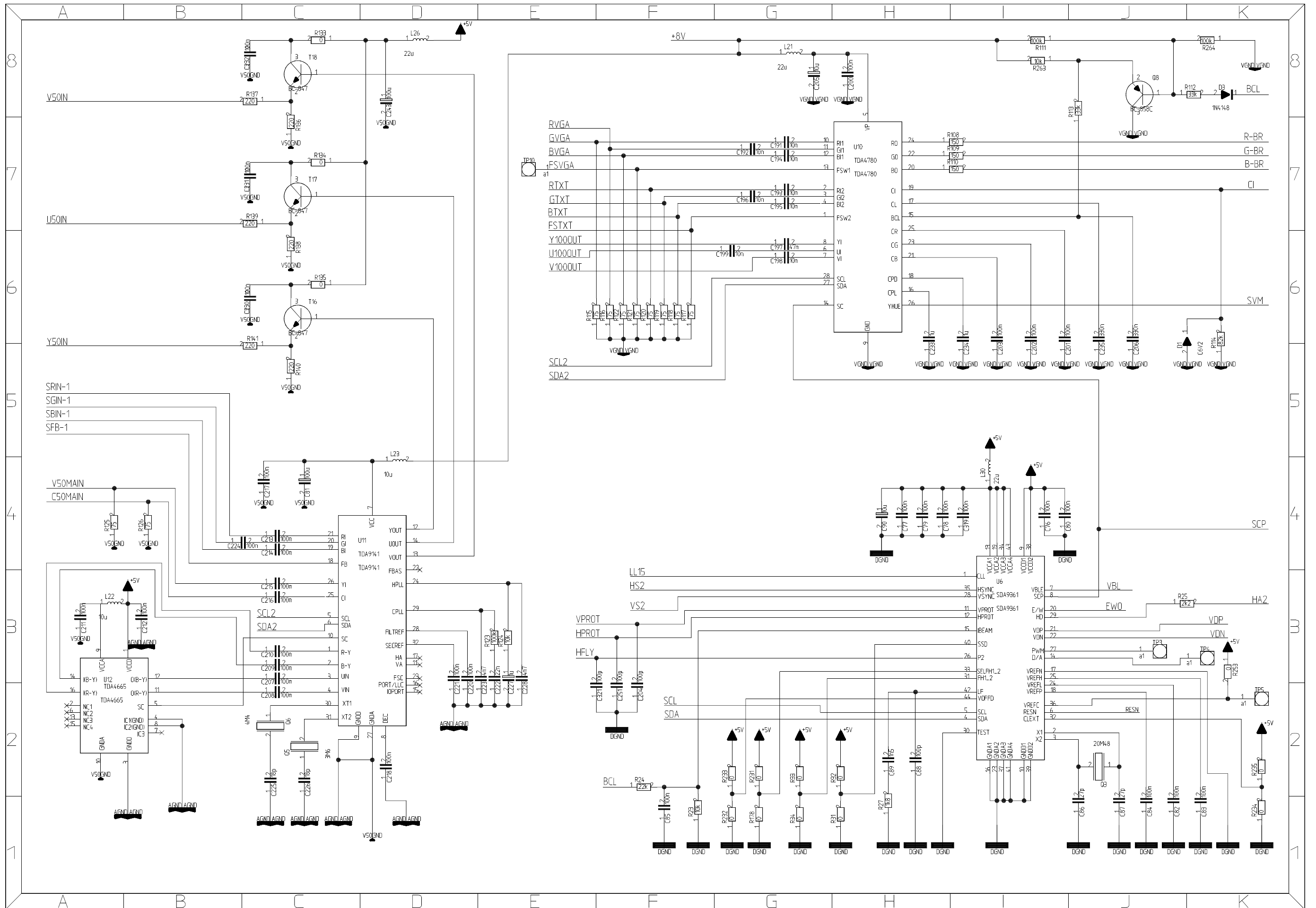
Norm	P1/7	P1/9	P2/4
B/G	H	L	H
D/K1	H	L	L



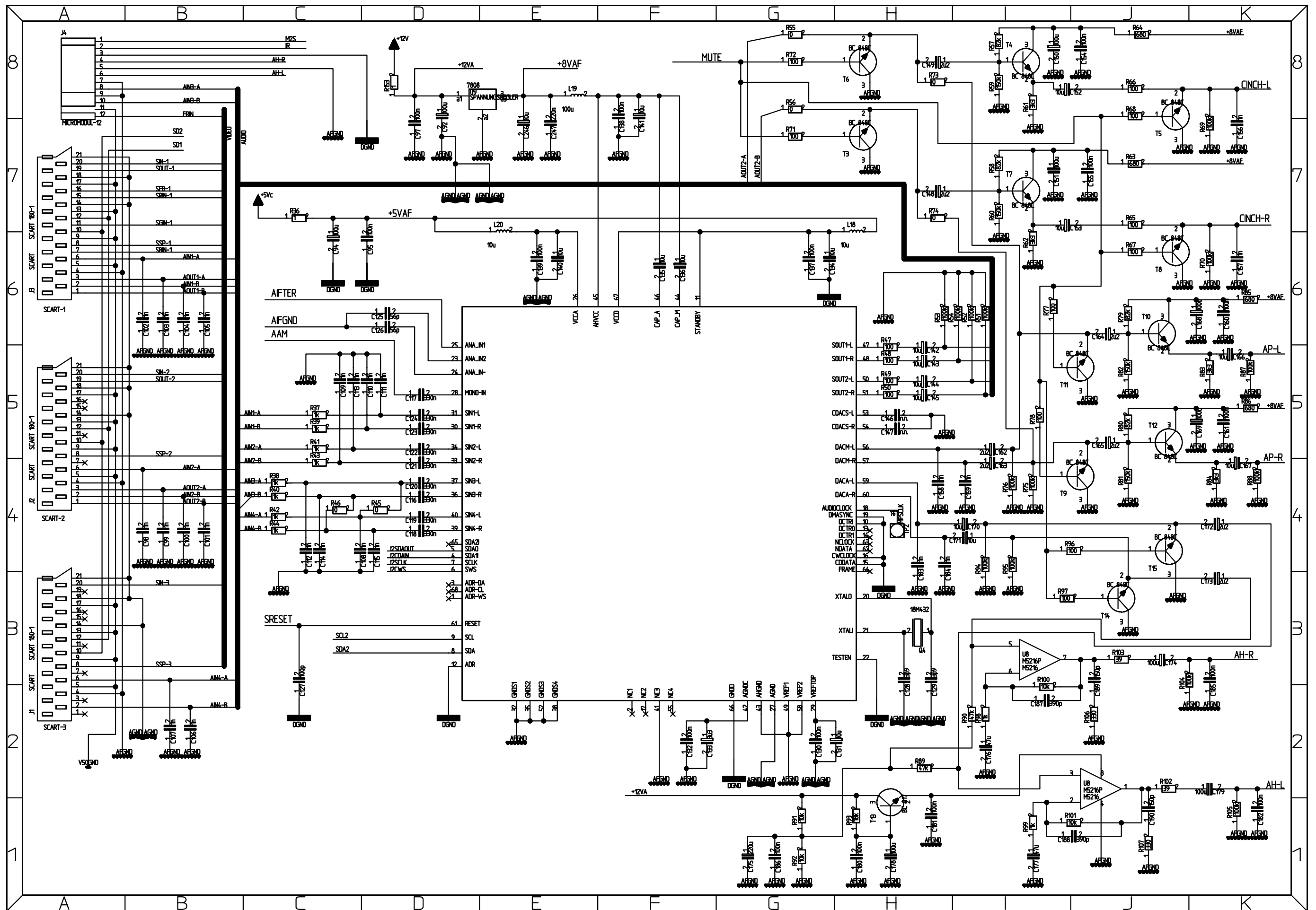
IF MULTI CIRCUIT DIAGRAM



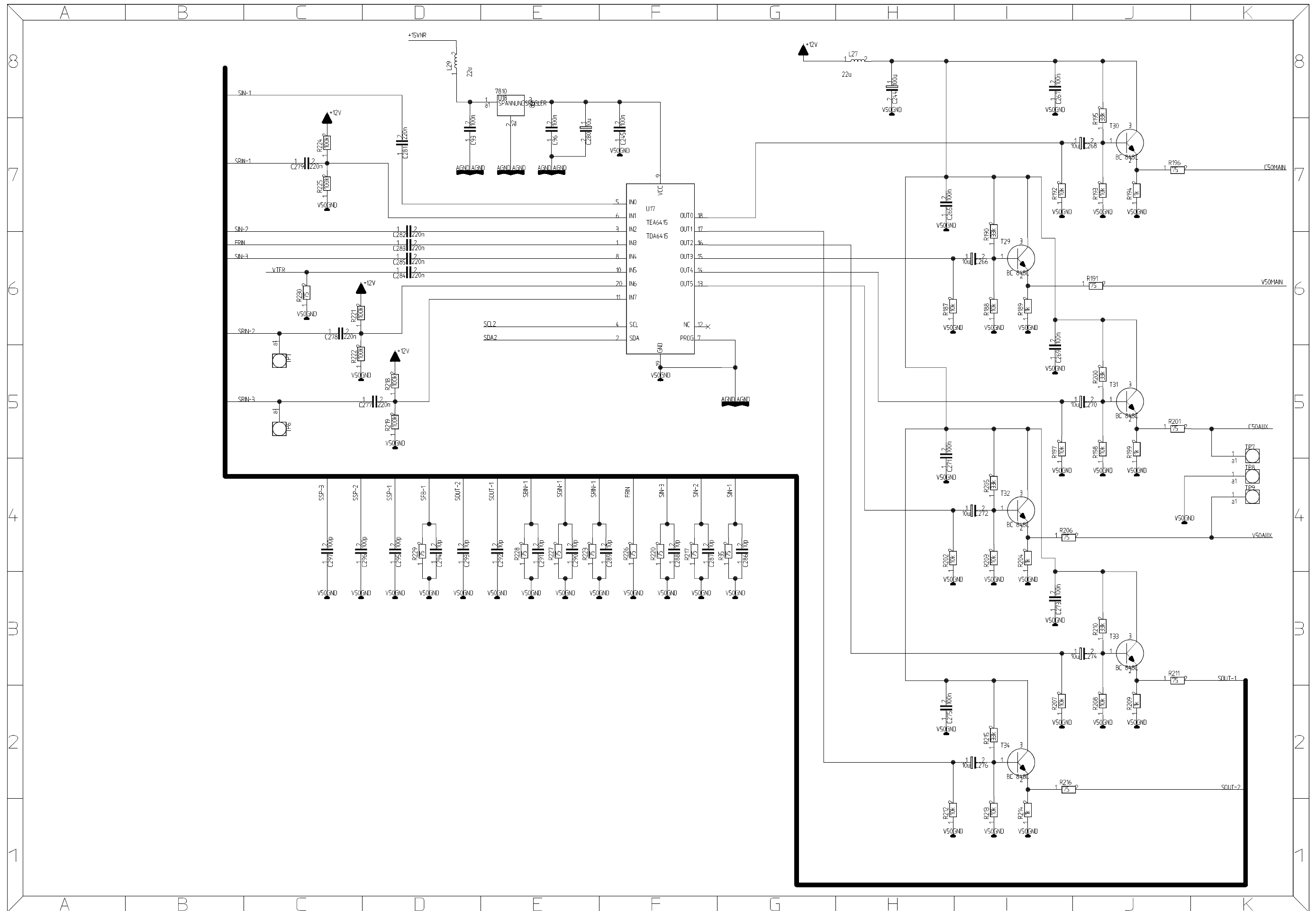
ADC / DAC



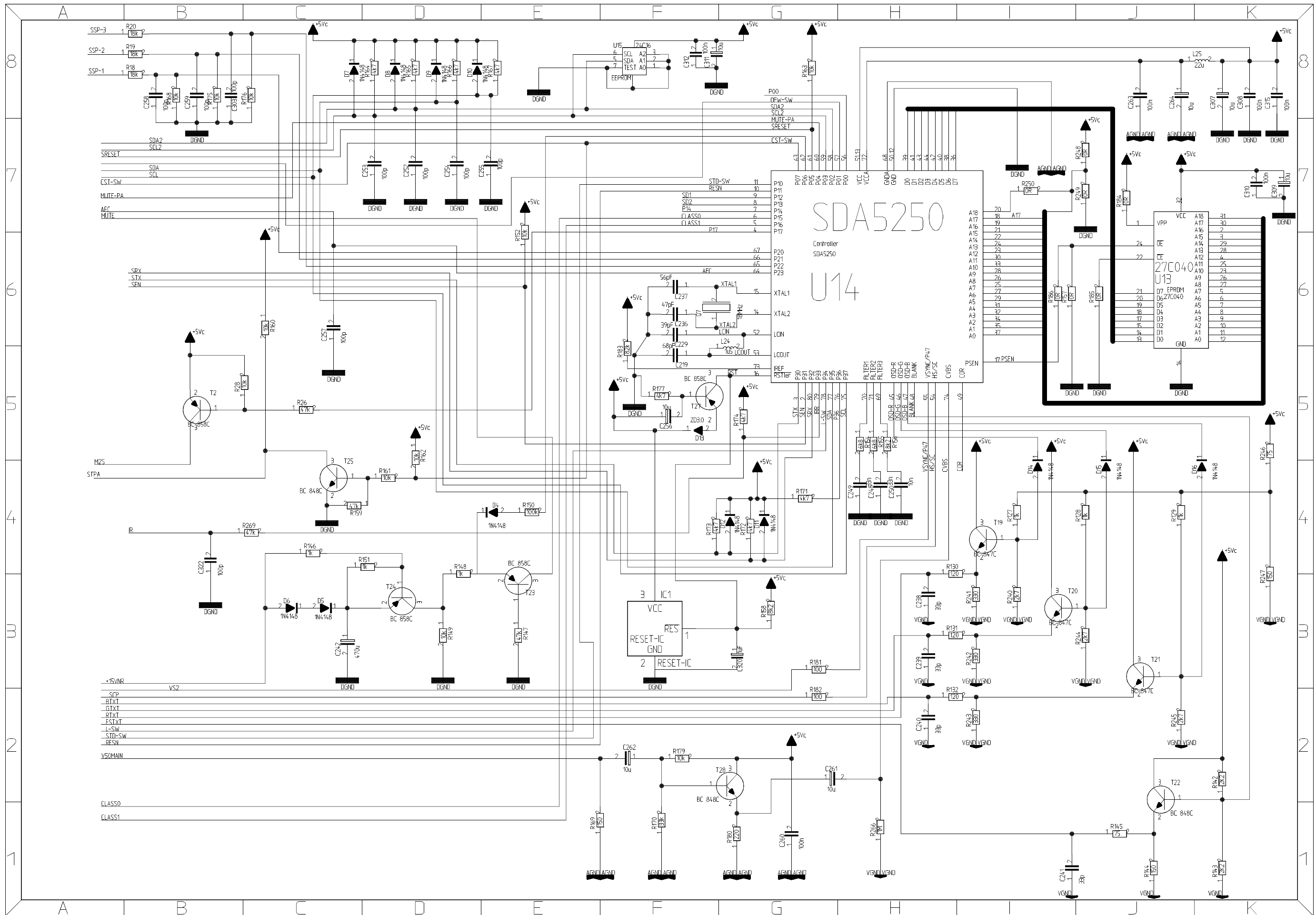
RGB Matrix



SIGNAL CHASSIS CIRCUIT DIAGRAM (3/8)

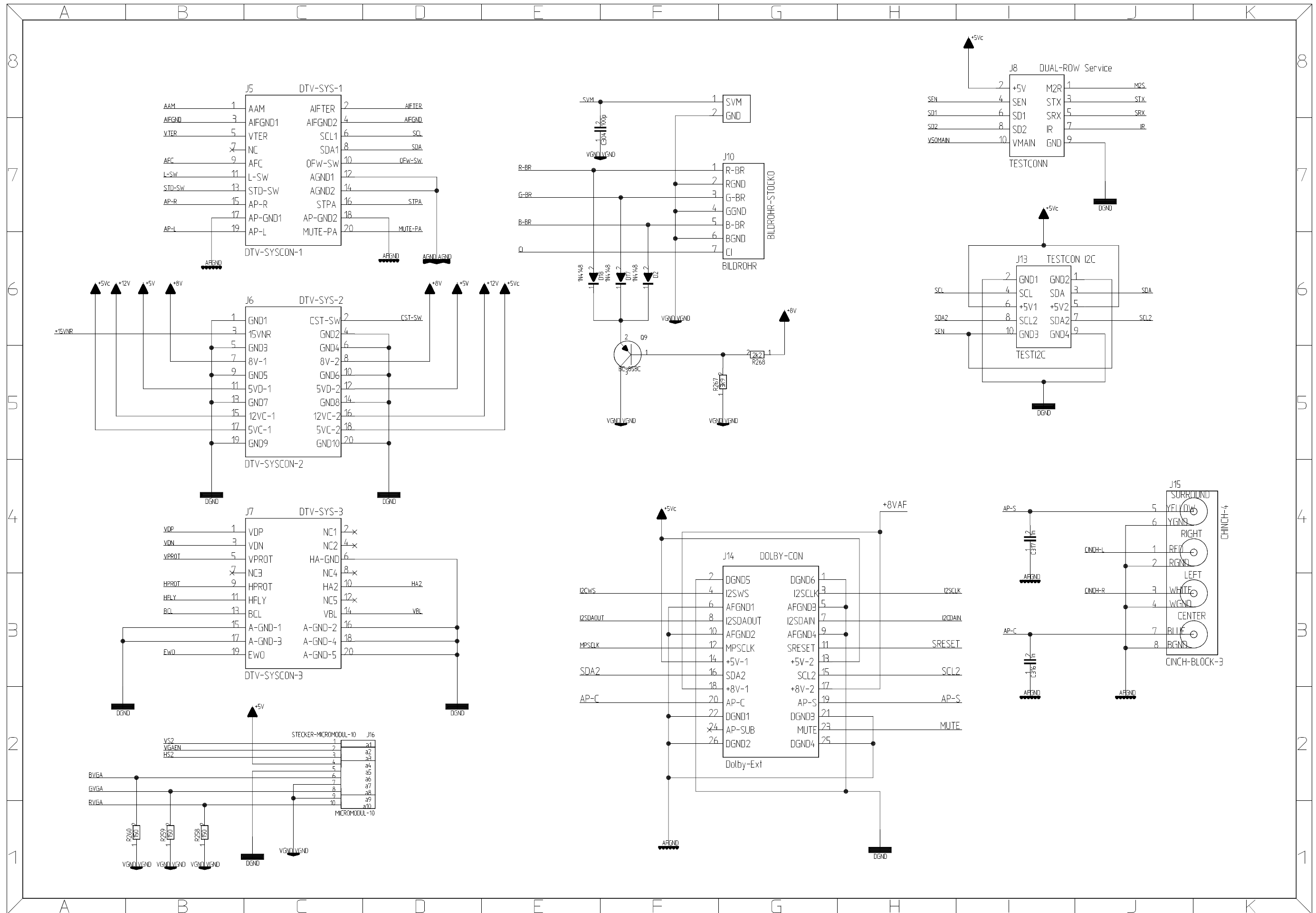


Video Matrix



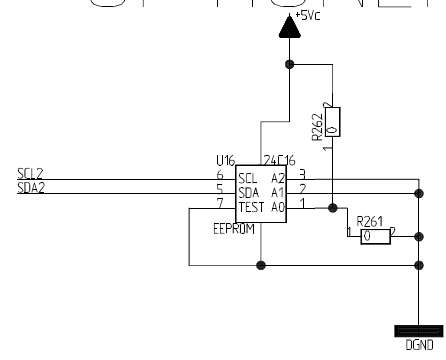
1	VPP	A18	31
		A17	30
		A16	2
		A15	3
24	CE TESTSOKRE	A14	29
		A13	28
22	CE TESTSOKRE	A12	4
		A11	25
		A10	23
		A9	26
		A8	27
21	D7 EPROM	A7	5
20	D6 27C040	A6	6
19	D5	A5	7
18	D4	A4	8
17	D3	A3	9
16	D2	A2	10
15	D1	A1	11
	D0	GND	12

System Controller



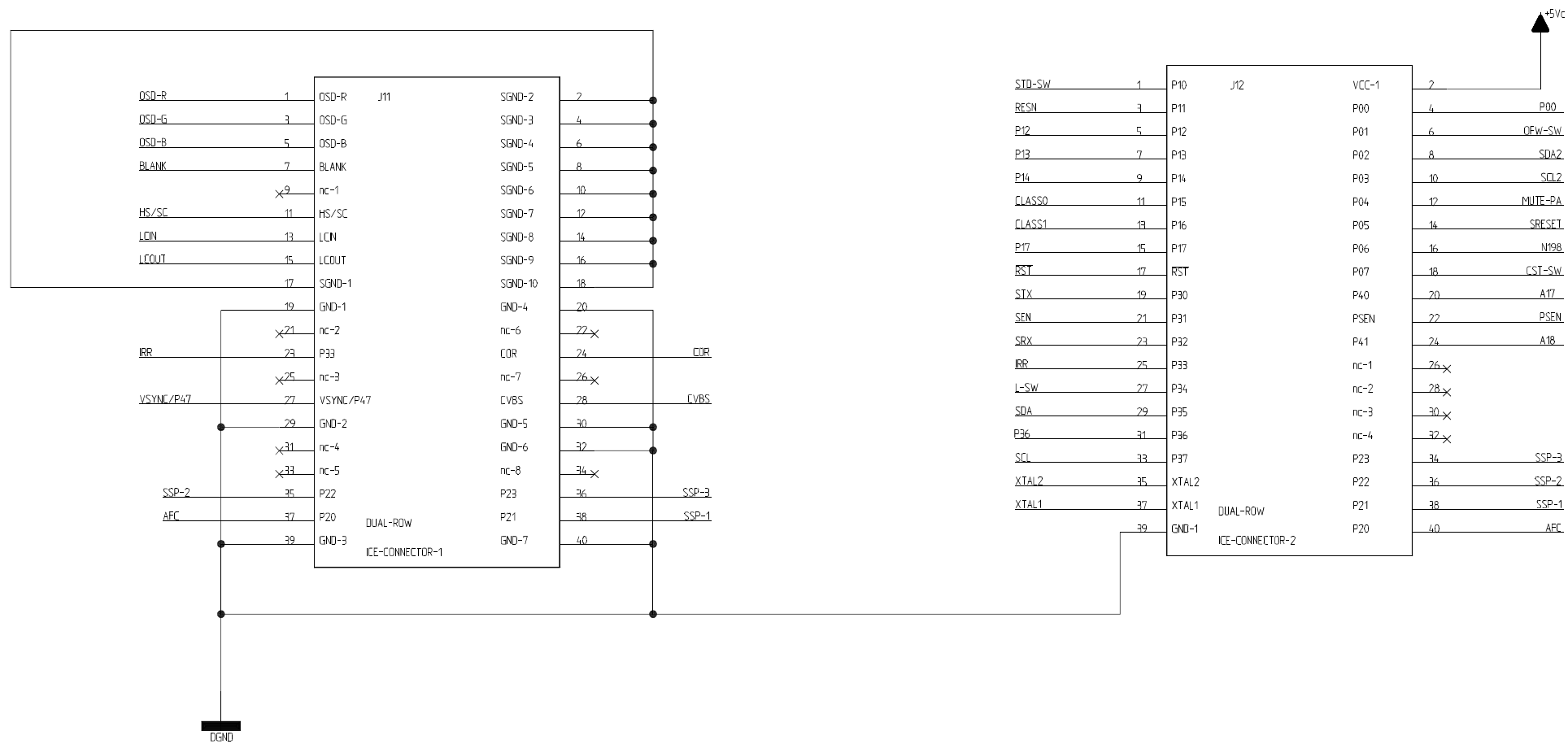
Options (A)

OPTIONEN



Options (B)

EMULATOR-SOCKEL



Emulator Sockets